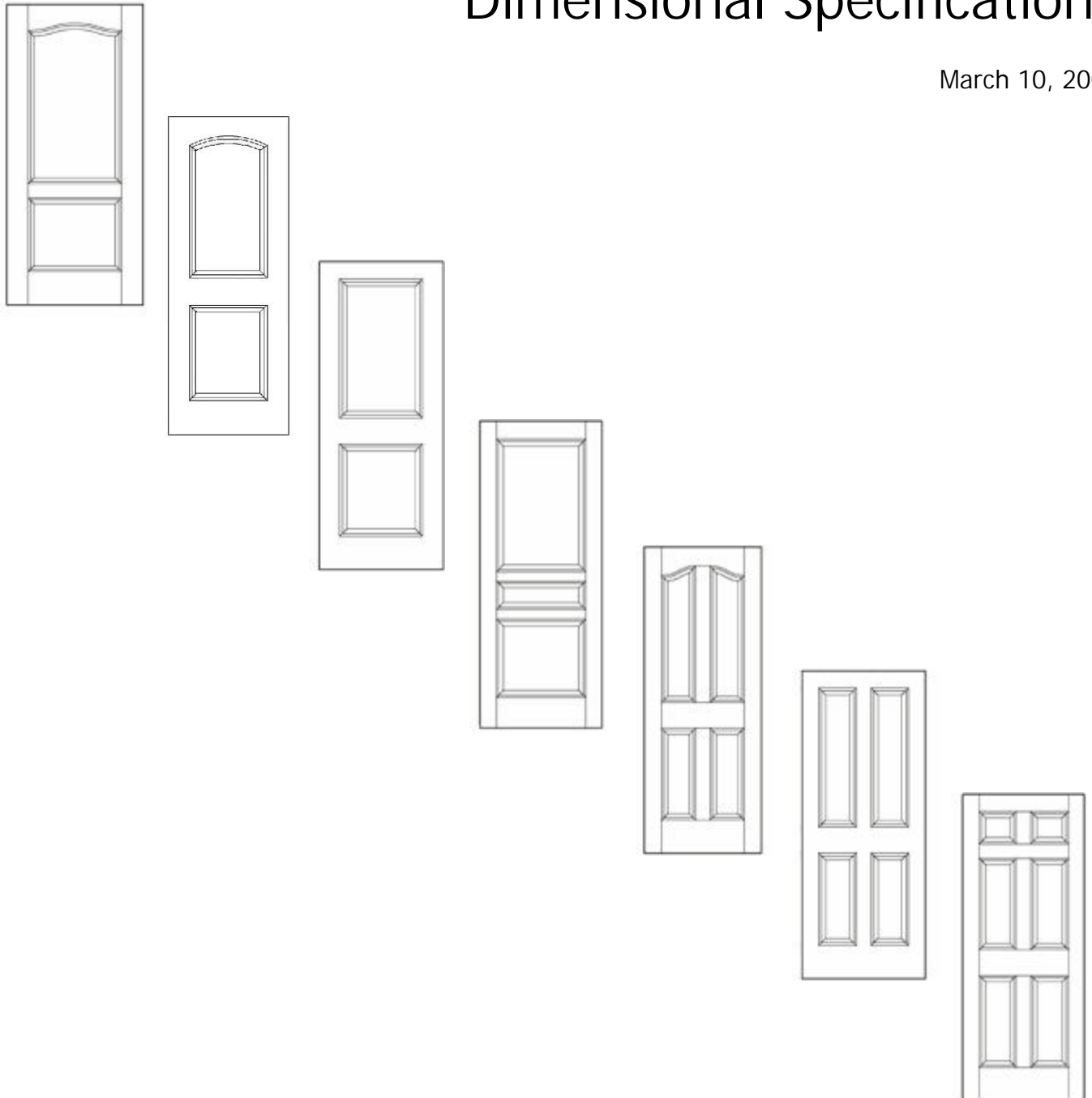




Molded Door Facing

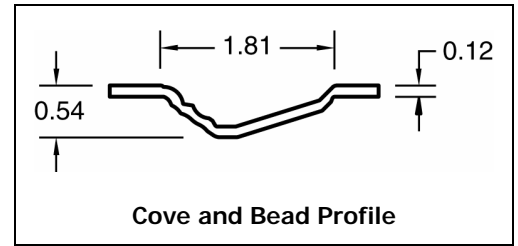
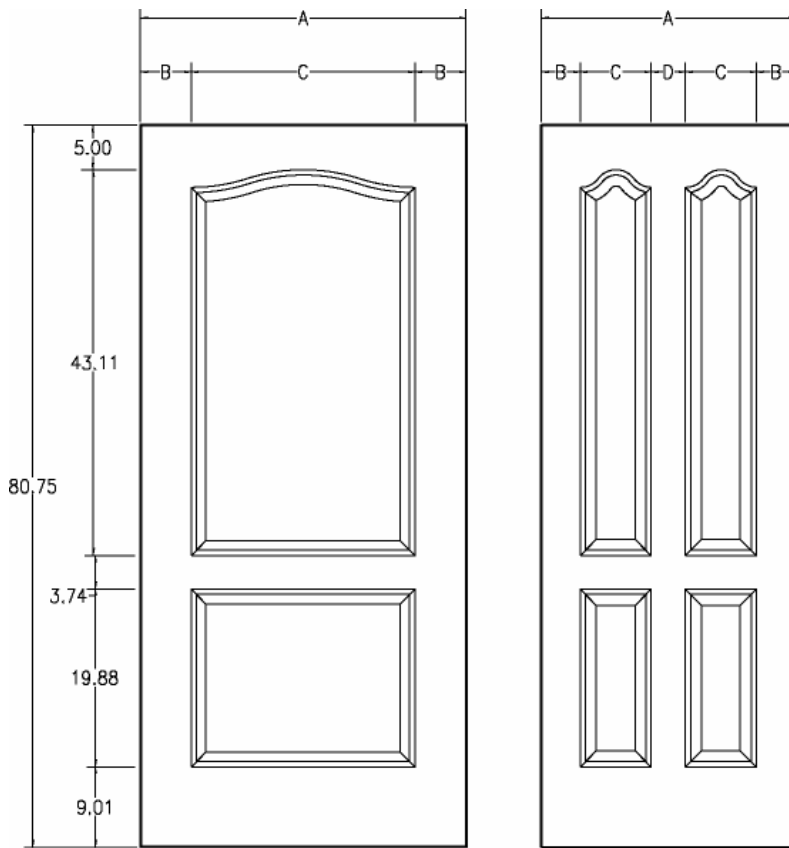
Dimensional Specifications

March 10, 2005





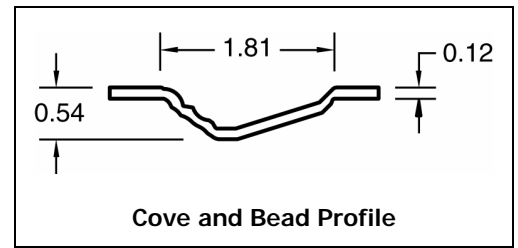
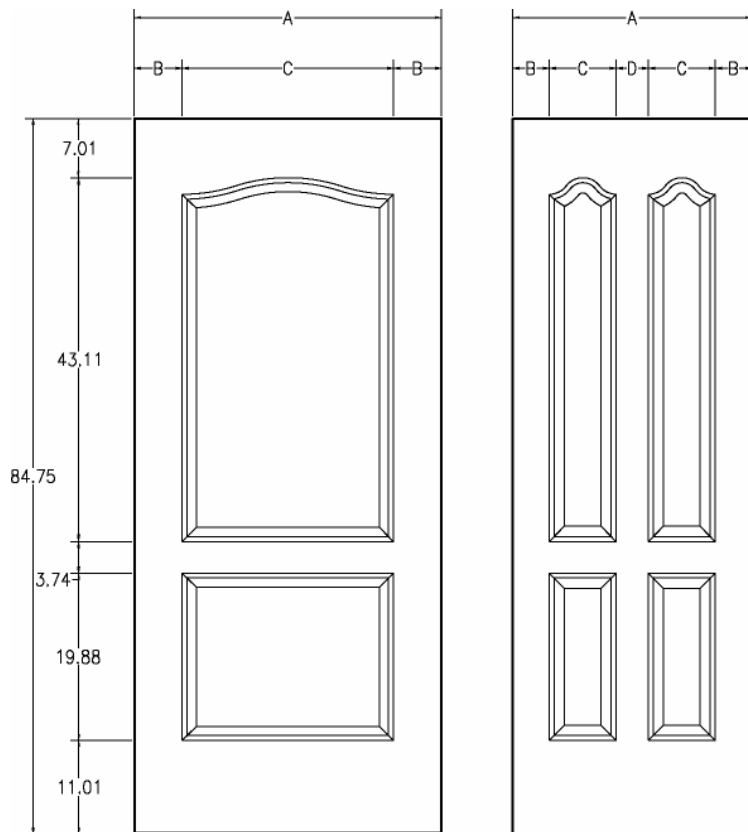
Molded Door Facing Dimensional Specifications



Two Panel Arch Top
Smooth
Height: 6'8"

Door Facing Size (Nominal)	A	B	C	D
36	36.375	5.69	25.00	--
34	34.375	5.77	22.84	--
32	32.375	4.77	22.84	--
30	30.375	5.35	19.69	--
28	28.375	5.13	18.11	--
26	26.375	5.71	14.96	--
24	24.375	4.71	14.96	--
20	20.375	5.44	9.50	--
18	18.375	4.44	9.50	--
16U	--	--	--	--
18/18 B	36.375	6.19	9.50	5.00
16/16 B	32.375	4.78	9.50	3.81
15/15 B	30.375	4.61	8.68	3.81
14/14 B	--	--	--	--
12/12 B	24.375	3.49	6.79	3.81
9/9 B	--	--	--	--
18/18 M	--	--	--	--

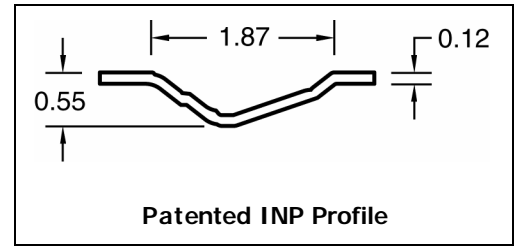
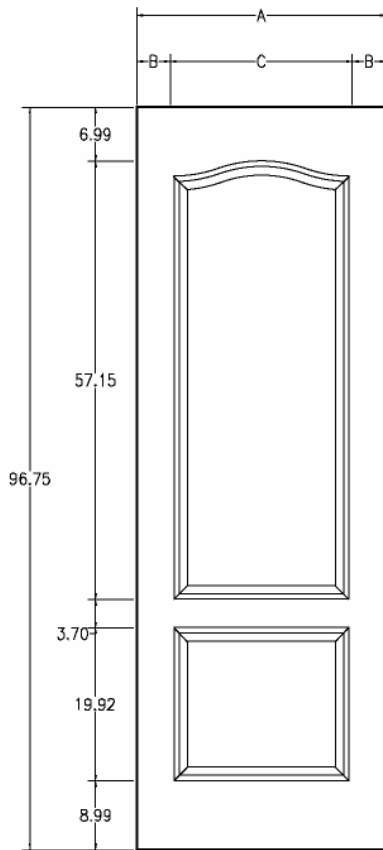
Overall Length and Width Dimensions are + 1/16 inch



Two Panel Arch Top
Smooth
 Height: 7'0"

Door Facing Size (Nominal)	A	B	C	D
36	36.375	5.69	25.00	--
34	34.375	5.77	22.84	--
32	32.375	4.77	22.84	--
30	30.375	5.35	19.69	--
28	28.375	5.13	18.11	--
26	26.375	5.71	14.96	--
24	24.375	4.71	14.96	--
20	20.375	5.44	9.50	--
18	18.375	4.44	9.50	--
16U	--	--	--	--
18/18 B	36.375	6.19	9.50	5.00
16/16 B	32.375	4.78	9.50	3.81
15/15 B	30.375	4.61	8.68	3.81
14/14 B	--	--	--	--
12/12 B	24.375	3.49	6.79	3.81
9/9 B	--	--	--	--
18/18 M	--	--	--	--

Overall Length and Width Dimensions are + 1/16 inch



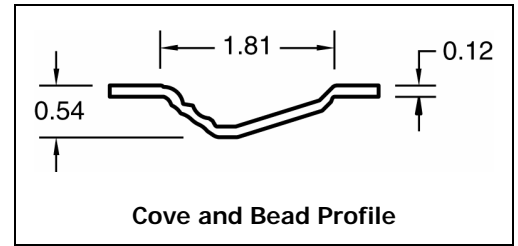
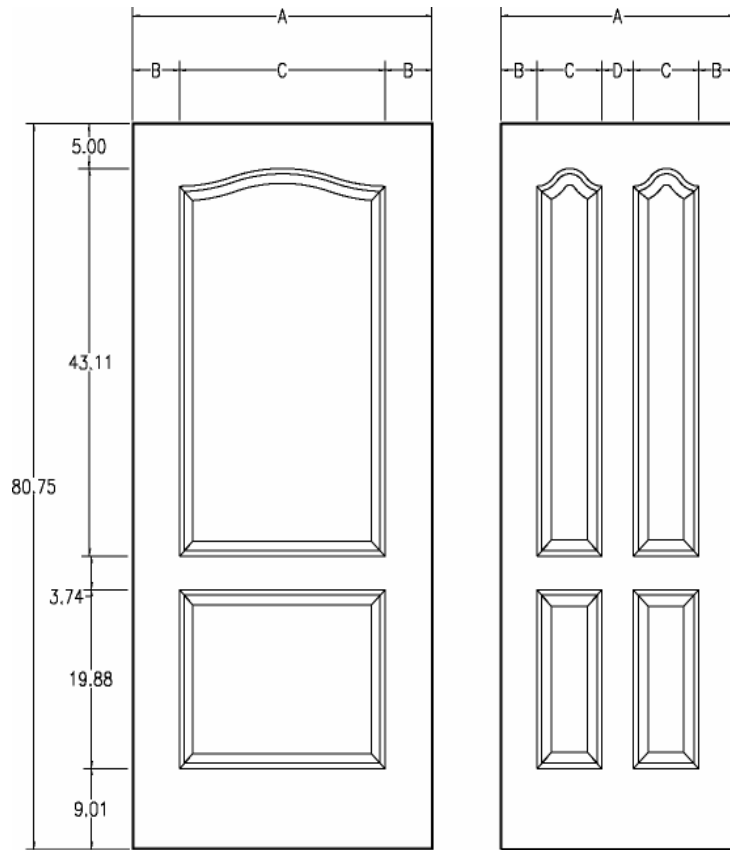
Two Panel Arch Top
Smooth
 Height: 8'0"

Door Facing Size (Nominal)	A	B	C	D
36	36.375	5.69	25.00	--
34	34.375	5.77	22.84	--
32	32.375	4.77	22.84	--
30	30.375	5.35	19.69	--
28	28.375	5.13	18.11	--
26	26.375	5.71	14.96	--
24	24.375	4.71	14.96	--
20	20.375	5.44	9.50	--
18	18.375	4.44	9.50	--
16U	16.375	4.65	7.08	--
18/18 B	--	--	--	--
16/16 B	--	--	--	--
15/15 B	--	--	--	--
14/14 B	--	--	--	--
12/12 B	--	--	--	--
9/9 B	--	--	--	--
18/18 M	--	--	--	--

Overall Length and Width Dimensions are + 1/16 inch



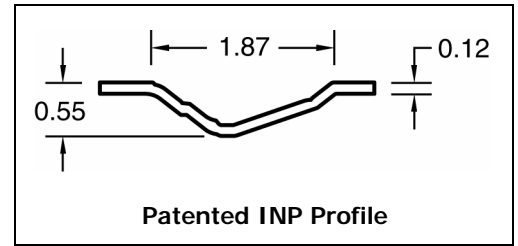
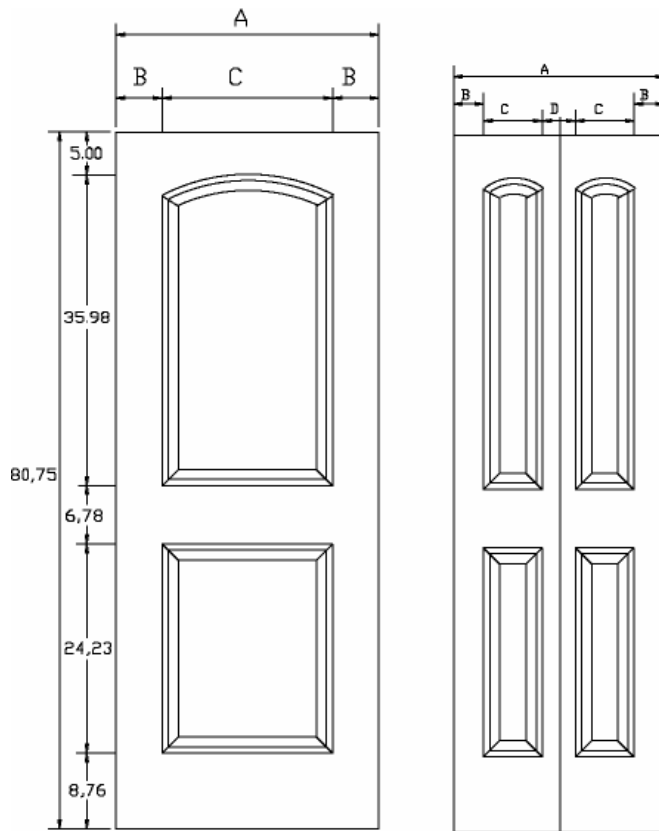
Molded Door Facing Dimensional Specifications



Two Panel Arch Top
Textured
Height: 6'8"

Door Facing Size (Nominal)	A	B	C	D
36	36.375	5.69	25.00	--
34	34.375	5.77	22.84	--
32	32.375	4.77	22.84	--
30	30.375	5.35	19.69	--
28	28.375	5.13	18.11	--
26	26.375	5.71	14.96	--
24	24.375	4.71	14.96	--
20	20.375	5.44	9.50	--
18	18.375	4.44	9.50	--
16U	16.375	4.69	7.00	--
18/18 B	36.375	6.19	9.50	5.00
16/16 B	32.375	4.78	9.50	3.81
15/15 B	30.375	4.61	8.68	3.81
14/14 B	28.375	4.34	7.94	3.81
12/12 B	24.375	3.49	6.79	3.81
9/9 B	--	--	--	--
18/18 M	--	--	--	--

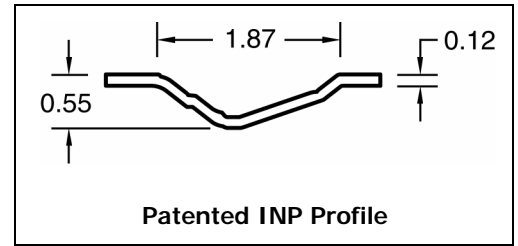
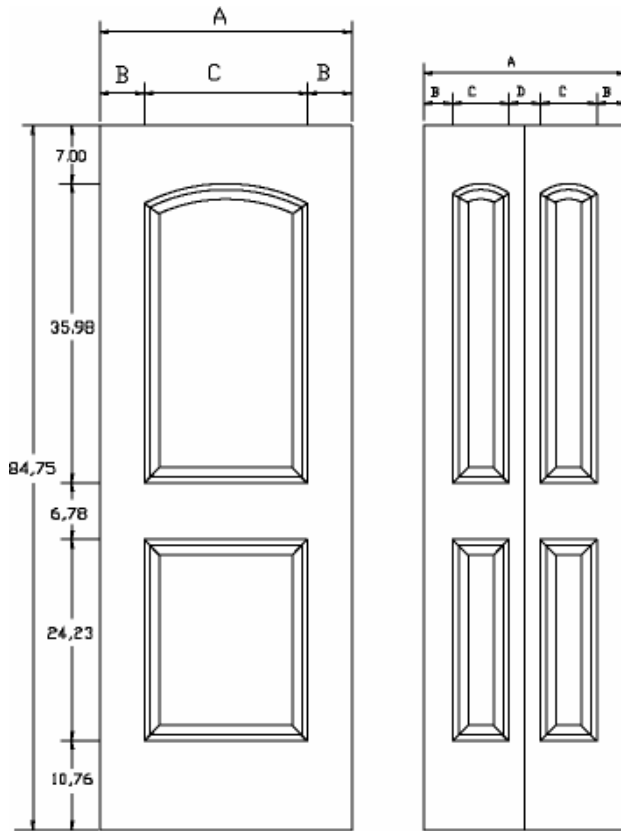
Overall Length and Width Dimensions are + 1/16 inch



Two Panel Roman
Smooth
 Height: 6'8"

Door Facing Size (Nominal)	A	B	C	D
36	36.375	6.34	23.69	--
34	34.375	6.34	21.69	--
32	32.375	5.34	21.69	--
30	30.375	5.34	19.69	--
28	28.375	5.34	17.69	--
26	26.375	5.34	15.69	--
24	24.375	4.34	15.69	--
20	20.375	4.21	11.96	--
18	18.375	3.21	11.96	--
16U	16.375	4.65	7.08	--
18/18 B	36.375	6.19	9.50	5.00
16/16 B	--	--	--	--
15/15 B	30.375	4.60	8.68	3.81
14/14 B	--	--	--	--
12/12 B	24.375	3.50	6.79	3.81
9/9 B	--	--	--	--
18/18 M	--	--	--	--

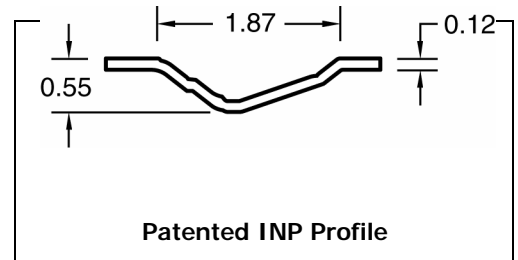
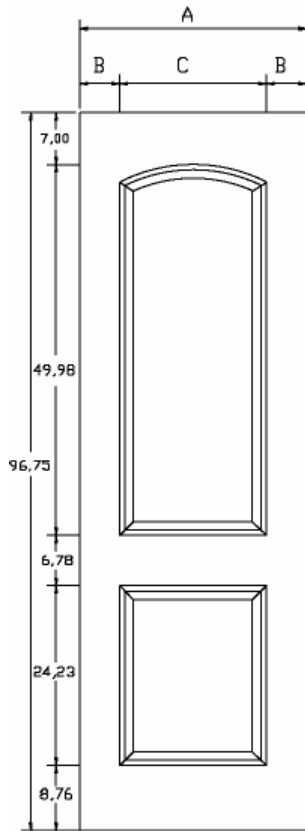
Overall Length and Width Dimensions are + 1/16 inch



Two Panel Roman
Smooth
 Height: 7'0"

Door Facing Size (Nominal)	A	B	C	D
36	36.375	6.34	23.69	--
34	34.375	6.34	21.69	--
32	32.375	5.34	21.69	--
30	30.375	5.34	19.69	--
28	28.375	5.34	17.69	--
26	26.375	5.34	15.69	--
24	24.375	4.34	15.69	--
20	20.375	4.21	11.96	--
18	18.375	3.21	11.96	--
16U	16.375	4.65	7.08	--
18/18 B	36.375	6.19	9.50	5.00
16/16 B	--	--	--	--
15/15 B	30.375	4.60	8.68	3.81
14/14 B	--	--	--	--
12/12 B	24.375	3.50	6.79	3.81
9/9 B	--	--	--	--
18/18 M	--	--	--	--

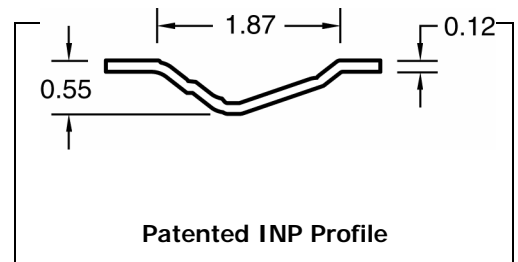
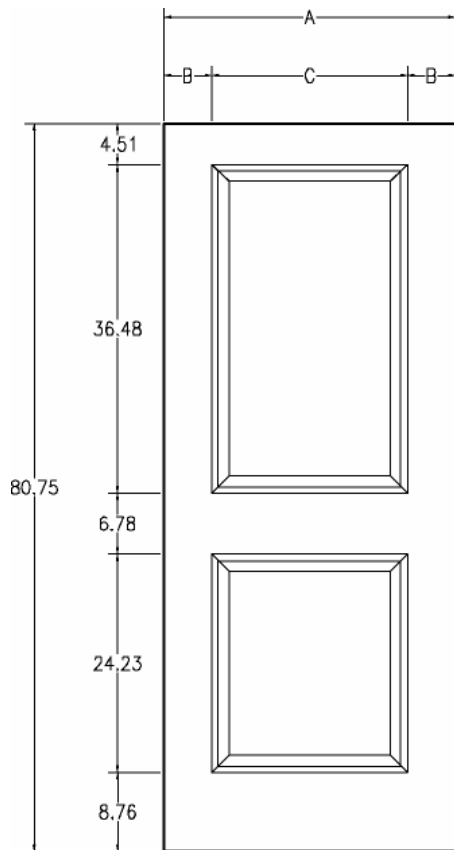
Overall Length and Width Dimensions are + 1/16 inch



Two Panel Roman
Smooth
 Height: 8'0"

Door Facing Size (Nominal)	A	B	C	D
36	36.375	6.34	23.69	--
34	34.375	6.34	21.69	--
32	32.375	5.34	21.69	--
30	30.375	5.34	19.69	--
28	28.375	5.34	17.69	--
26	26.375	5.34	15.69	--
24	24.375	4.34	15.69	--
20	20.375	4.21	11.96	--
18	18.375	3.21	11.96	--
16U	--	--	--	--
18/18 B	--	--	--	--
16/16 B	--	--	--	--
15/15 B	--	--	--	--
14/14 B	--	--	--	--
12/12 B	--	--	--	--
9/9 B	--	--	--	--
18/18 M	--	--	--	--

Overall Length and Width Dimensions are + 1/16 inch



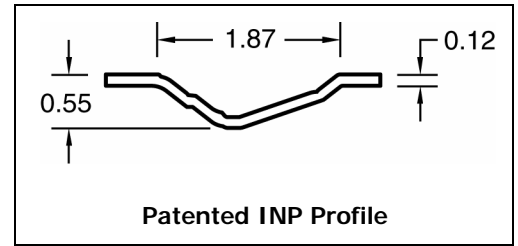
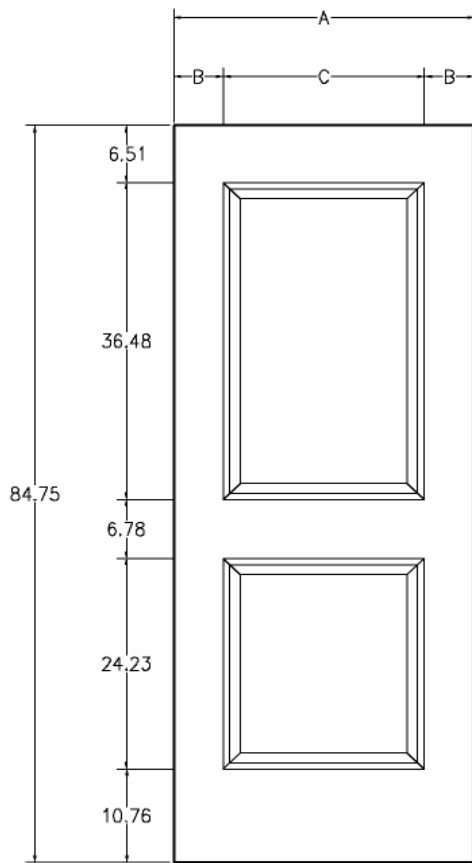
Two Panel Smooth
 Height: 6'8"

Door Facing Size (Nominal)	A	B	C	D
36	36.375	6.34	23.69	--
34	34.375	6.34	21.69	--
32	32.375	5.34	21.69	--
30	30.375	5.34	19.69	--
28	28.375	5.34	17.69	--
26	26.375	5.34	15.69	--
24	24.375	4.34	15.69	--
20*	20.375	4.21	11.96	--
18*	18.375	3.21	11.96	--
16U*	16.375	4.65	7.08	--
18/18 B	--	--	--	--
16/16 B	--	--	--	--
15/15 B	--	--	--	--
14/14 B	--	--	--	--
12/12 B	--	--	--	--
9/9 B	--	--	--	--
18/18 M	--	--	--	--

*Note: Four Panel Smooth SKU's (one panel wide). Overall Length and Width Dimensions are + 1/16 inch



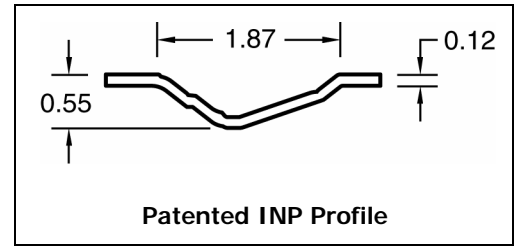
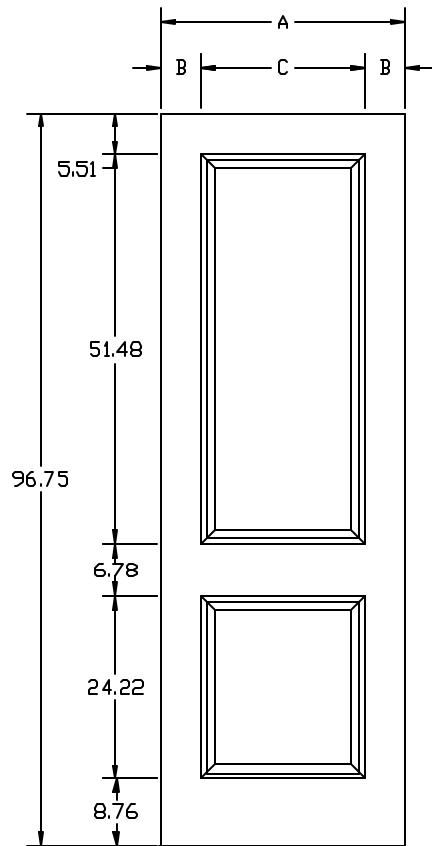
Molded Door Facing Dimensional Specifications



Two Panel Smooth
Height: 7'0"

Door Facing Size (Nominal)	A	B	C	D
36	36.375	6.34	23.69	--
34	34.375	6.34	21.69	--
32	32.375	5.34	21.69	--
30	30.375	5.34	19.69	--
28	28.375	5.34	17.69	--
26	26.375	5.34	15.69	--
24	24.375	4.34	15.69	--
20	--	--	--	--
18	--	--	--	--
16U	--	--	--	--
18/18 B	--	--	--	--
16/16 B	--	--	--	--
15/15 B	--	--	--	--
14/14 B	--	--	--	--
12/12 B	--	--	--	--
9/9 B	--	--	--	--
18/18 M	--	--	--	--

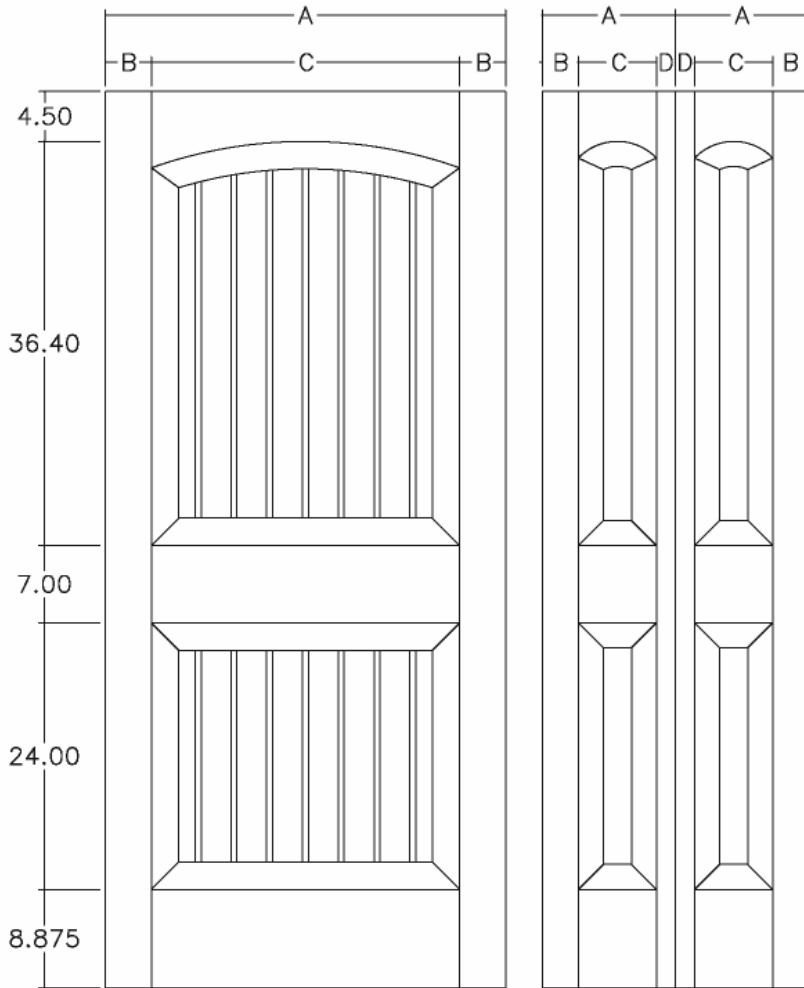
Overall Length and Width Dimensions are + 1/16 inch



Two Panel Smooth
 Height: 8'0"

Door Facing Size (Nominal)	A	B	C	D
36	36.375	6.34	23.69	--
34	34.375	6.34	21.69	--
32	32.375	5.34	21.69	--
30	30.375	5.34	19.69	--
28	28.375	5.34	17.69	--
26	26.375	5.34	15.69	--
24	24.375	4.34	15.69	--
20*	20.375	4.21	11.96	--
18*	18.375	3.21	11.96	--
16U*	16.375	4.65	7.08	--
18/18 B	--	--	--	--
16/16 B	--	--	--	--
15/15 B	--	--	--	--
14/14 B	--	--	--	--
12/12 B	--	--	--	--
9/9 B	--	--	--	--
18/18 M	--	--	--	--

*Note: 8/0 Four Panel Smooth SKU's. Overall Length and Width Dimensions are + 1/16 inch

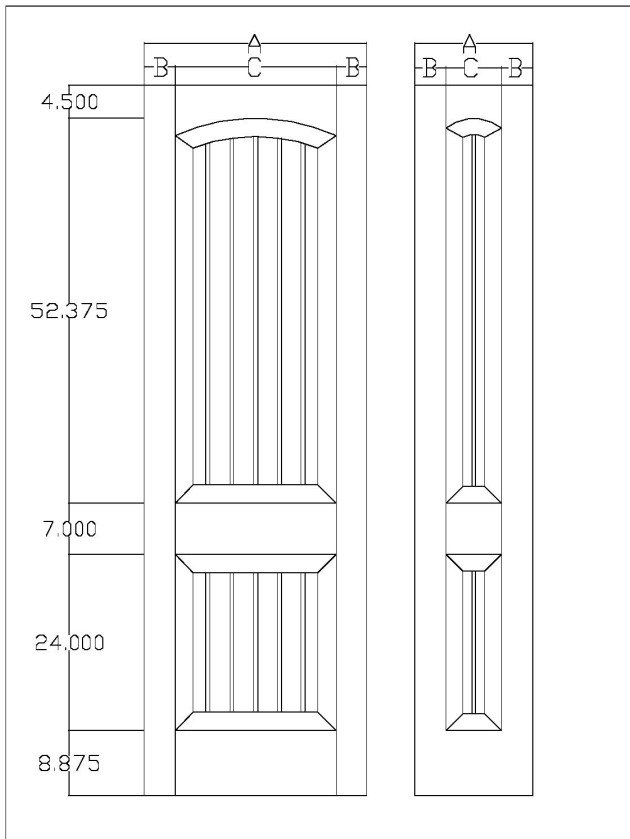


Cheyenne™
Height: 6'8"



Door Facing Size (Nominal)	A	B	C	D
36	36.375	4.3125	27.75	--
34	34.375	5.3125	23.75	--
32	32.375	4.3125	23.75	--
30	30.375	4.3125	21.75	--
28	28.375	4.3125	19.75	--
26	26.375	5.3125	15.75	--
24	24.375	4.3125	15.75	--
20	20.375	4.3500	11.675	--
18	18.375	3.3500	11.675	--
16U	16.375	4.4375	7.500	--
18/18 B	18.1875	4.375	11.625	2.1875
16/16 B	--	--	--	--
15/15 B	15.1875	4.375	8.625	2.1875
14/14 B	--	--	--	--
12/12 B	12.1875	3.4375	7.0313	1.7188
9/9 B	--	--	--	--
18/18 M	--	--	--	--

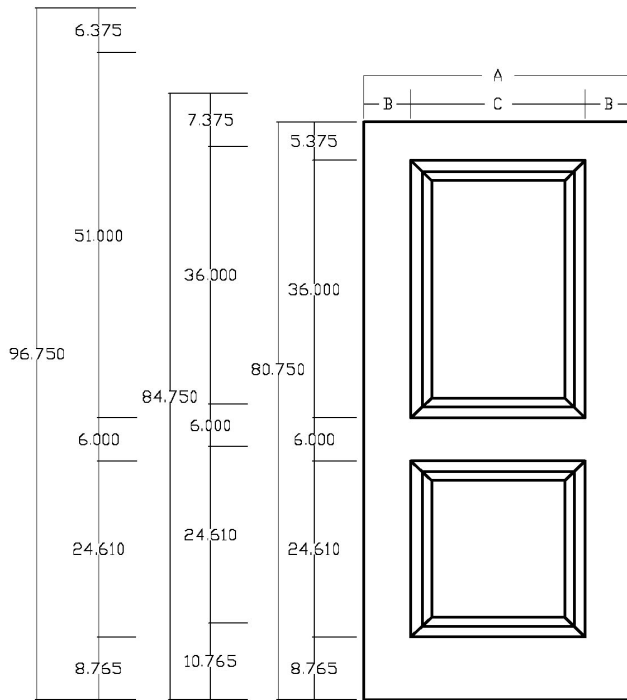
**Overall Length and Width Dimensions are + 1/16 inch


Cheyenne™

Height: 8'0"

Door Facing Size (Nominal)	A	B	C	D
36	36.375	4.3125	27.75	--
34	34.375	5.3125	23.75	--
32	32.375	4.3125	23.75	--
30	30.375	4.3125	21.75	--
28	28.375	4.3125	19.75	--
26	26.375	5.3125	15.75	--
24	24.375	4.3125	15.75	--
20	20.375	4.3500	11.675	--
18	18.375	3.3500	11.675	--
16U	16.375	4.4375	7.500	--
18/18 B	--	--	--	--
16/16 B	--	--	--	--
15/15 B	--	--	--	--
14/14 B	--	--	--	--
12/12 B	--	--	--	--
9/9 B	--	--	--	--
18/18 M	--	--	--	--

**Overall Length and Width Dimensions are + 1/16 inch



Palazzo™ Series

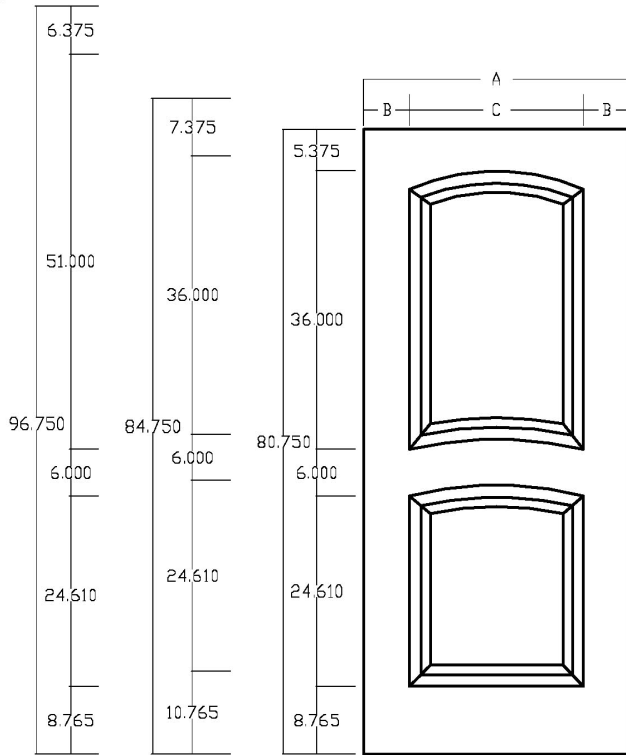
Capri™

Height: 6'8", 7'0", 8'0"

Door Facing Size (Nominal)	A	B	C	D
36	36.375	6.34	23.69	--
34	34.375	6.34	21.69	--
32	32.375	5.34	21.69	--
30	30.375	5.34	19.69	--
28	28.375	5.34	17.69	--
26	26.375	5.34	15.69	--
24	24.375	4.34	15.69	--
20	20.375	4.21	11.96	--
18	18.375	3.21	11.96	--
16	16.375	4.65	7.08	--
18/18 B	--	--	--	--
16/16 B	--	--	--	--
15/15 B	--	--	--	--
14/14 B	--	--	--	--
12/12 B	--	--	--	--
9/9 B	--	--	--	--
18/18 M	--	--	--	--

**Overall Length and Width Dimensions are + 1/16 inch

Palazzo™ Series



Bellagio™

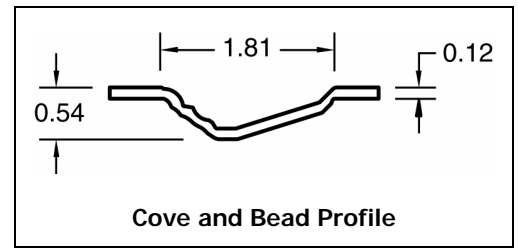
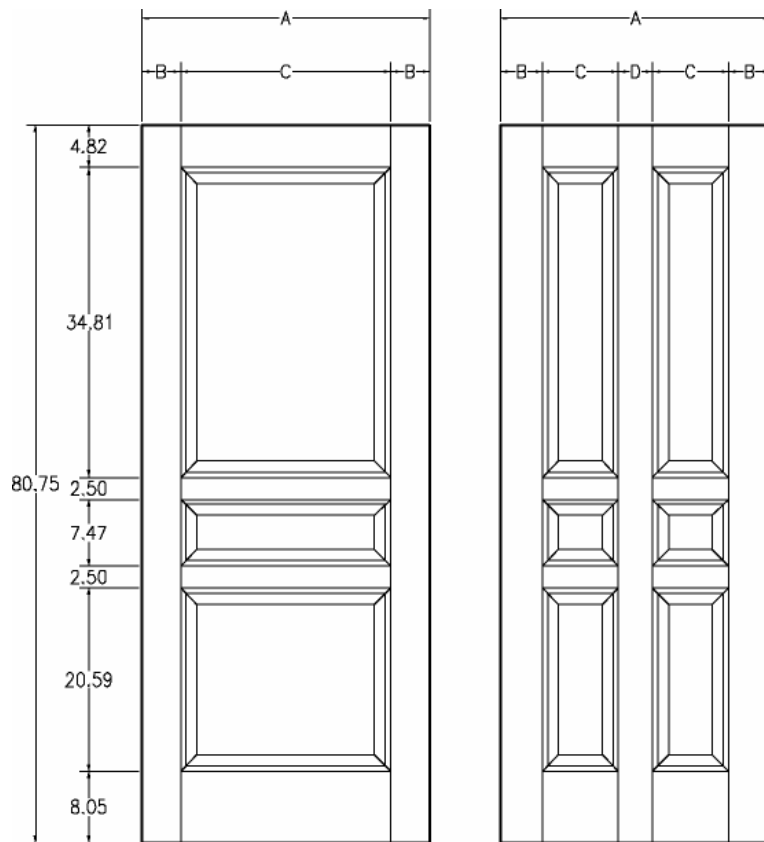
Height: 6'8", 7'0", 8'0"

Door Facing Size (Nominal)	A	B	C	D
36	36.375	6.34	23.69	--
34	34.375	6.34	21.69	--
32	32.375	5.34	21.69	--
30	30.375	5.34	19.69	--
28	28.375	5.34	17.69	--
26	26.375	5.34	15.69	--
24	24.375	4.34	15.69	--
20	20.375	4.21	11.96	--
18	18.375	3.21	11.96	--
16	16.375	4.65	7.08	--
18/18 B	--	--	--	--
16/16 B	--	--	--	--
15/15 B	--	--	--	--
14/14 B	--	--	--	--
12/12 B	--	--	--	--
9/9 B	--	--	--	--
18/18 M	--	--	--	--

**Overall Length and Width Dimensions are + 1/16 inch



Molded Door Facing Dimensional Specifications



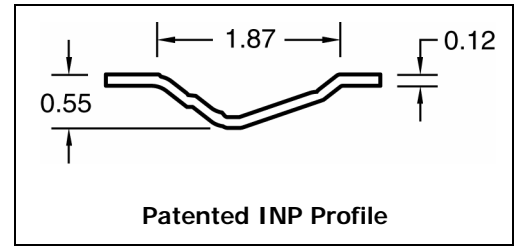
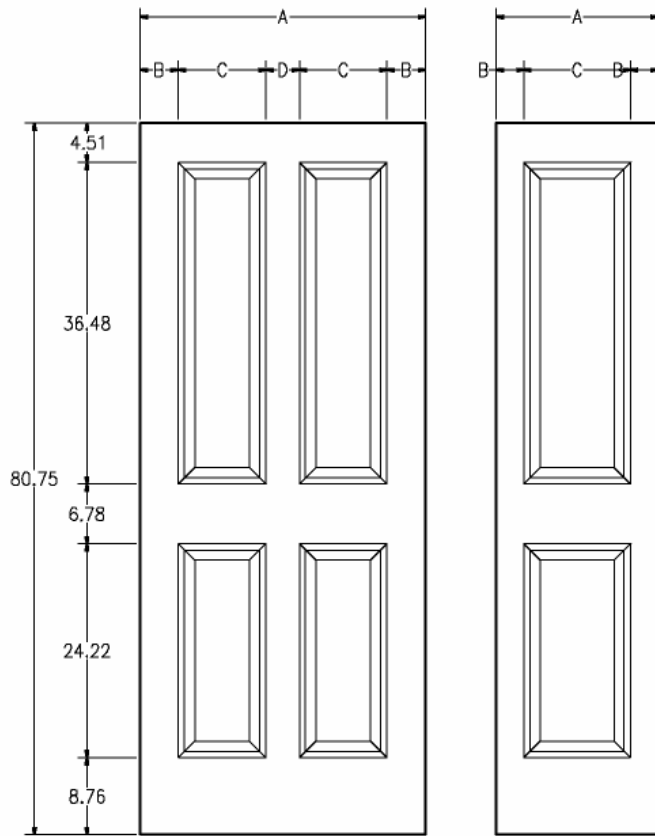
Three Panel
Textured
Height: 6'8"

Door Facing Size (Nominal)	A	B	C	D
36	36.375	4.41	27.56	--
34	34.375	5.38	23.62	--
32	32.375	4.38	23.62	--
30	30.375	4.72	20.94	--
28	28.375	4.35	19.68	--
26	26.375	5.31	15.75	--
24	24.375	4.31	15.75	--
20	20.375	5.44	9.49	--
18	18.375	4.44	9.49	--
16U	16.375	4.69	7.00	--
18/18 B	36.375	6.20	9.49	5.00
16/16 B	32.375	4.38	9.90	3.82
15/15 B	30.375	4.73	8.54	3.82
14/14 B	--	--	--	--
12/12 B	24.375	3.59	6.69	3.82
9/9 B	--	--	--	--
18/18 M	--	--	--	--

Overall Length and Width Dimensions are + 1/16 inch



Molded Door Facing Dimensional Specifications



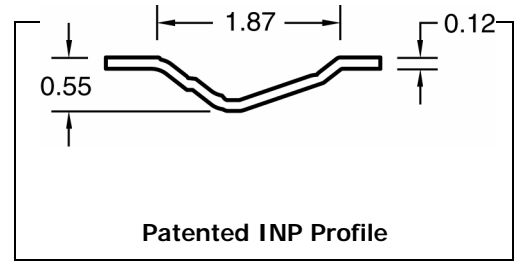
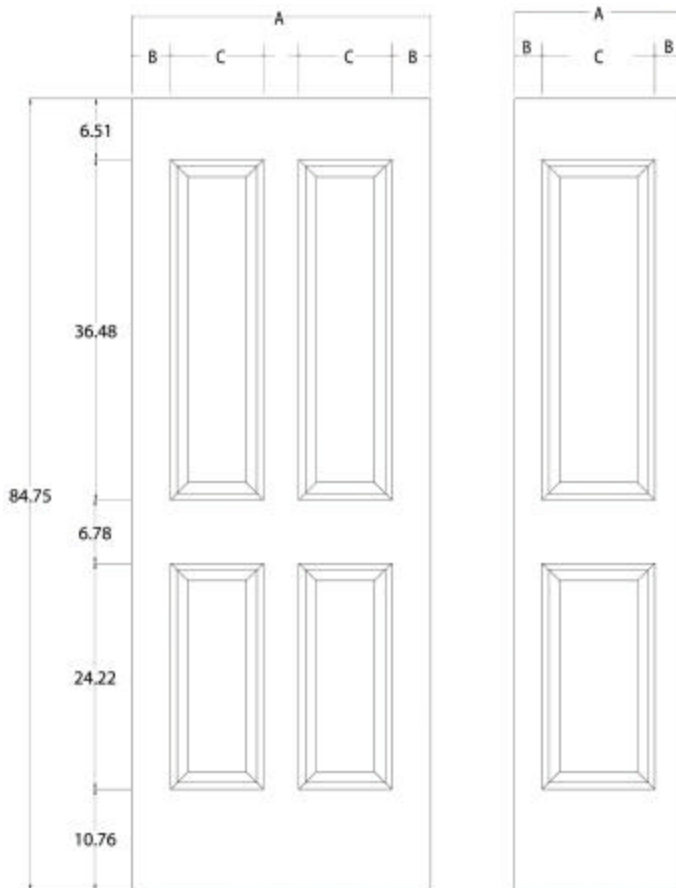
Four Panel Smooth Height: 6'8"

Door Facing Size (Nominal)	A	B	C	D
36	36.375	4.34	11.96	3.78
34	34.375	5.34	9.96	3.78
32	32.375	4.34	9.96	3.78
30	30.375	4.34	8.96	3.78
28	28.375	4.34	7.96	3.78
26	26.375	5.34	5.96	3.78
24	24.375	4.34	5.96	3.78
20	20.375	4.21	11.96	--
18	18.375	3.21	11.96	--
16U	16.375	4.65	7.08	--
18/18 B	--	--	--	--
16/16 B	--	--	--	--
15/15 B	--	--	--	--
14/14 B	--	--	--	--
12/12 B	--	--	--	--
9/9 B	--	--	--	--
18/18 M	--	--	--	--

Overall Length and Width Dimensions are + 1/16 inch



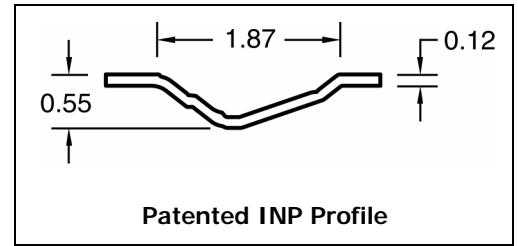
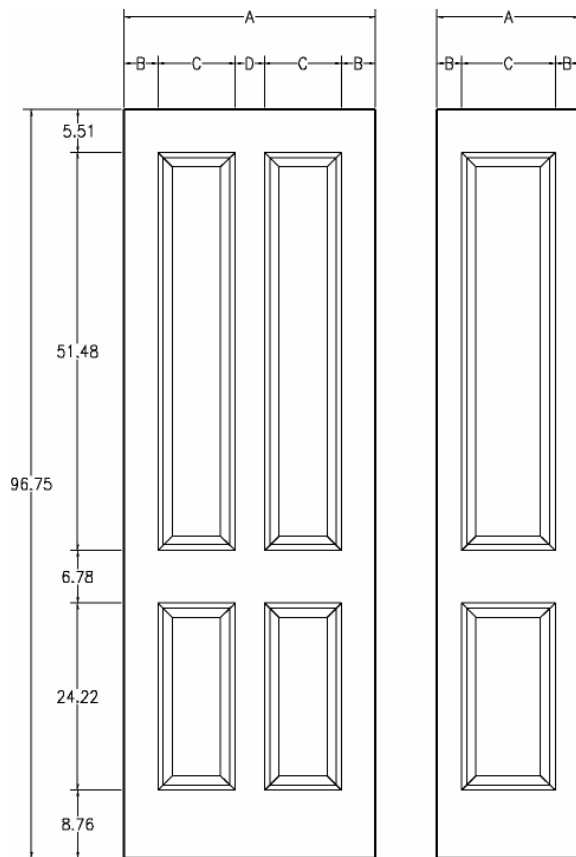
Molded Door Facing Dimensional Specifications



Four Panel Smooth Height: 7'0"

Door Facing Size (Nominal)	A	B	C	D
36	36.375	4.34	11.96	3.78
34	34.375	5.34	9.96	3.78
32	32.375	4.34	9.96	3.78
30	30.375	4.34	8.96	3.78
28	28.375	4.34	7.96	3.78
26	26.375	5.34	5.96	3.78
24	24.375	4.34	5.96	3.78
20	20.375	4.21	11.96	--
18	18.375	3.21	11.96	--
16U	--	--	--	--
18/18 B	--	--	--	--
16/16 B	--	--	--	--
15/15 B	--	--	--	--
14/14 B	--	--	--	--
12/12 B	--	--	--	--
9/9 B	--	--	--	--
18/18 M	--	--	--	--

Overall Length and Width Dimensions are + 1/16 inch



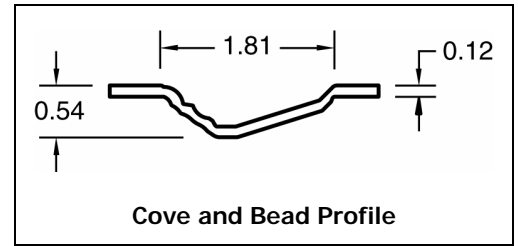
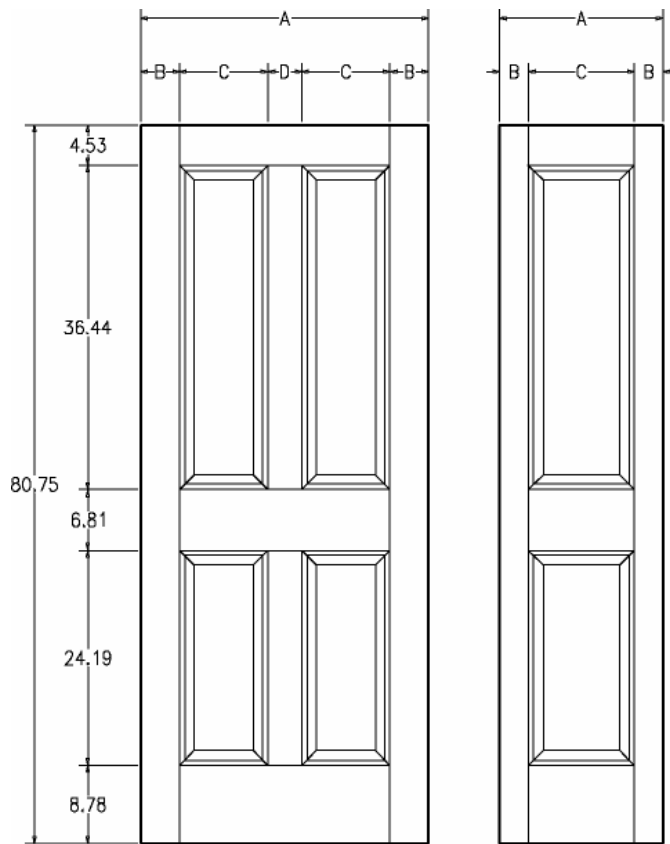
Four Panel Smooth
 Height: 8'0"

Door Facing Size (Nominal)	A	B	C	D
36	36.375	4.34	11.96	3.78
34	34.375	5.34	9.96	3.78
32	32.375	4.34	9.96	3.78
30	30.375	4.34	8.96	3.78
28	28.375	4.34	7.96	3.78
26	26.375	5.34	5.96	3.78
24	24.375	4.34	5.96	3.78
20	20.375	4.21	11.96	--
18	18.375	3.21	11.96	--
16U	16.375	4.65	7.08	--
18/18 B	--	--	--	--
16/16 B	--	--	--	--
15/15 B	--	--	--	--
14/14 B	--	--	--	--
12/12 B	--	--	--	--
9/9 B	--	--	--	--
18/18 M	--	--	--	--

Overall Length and Width Dimensions are + 1/16 inch



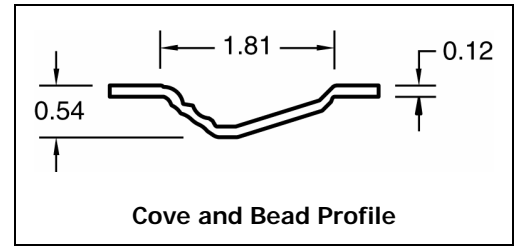
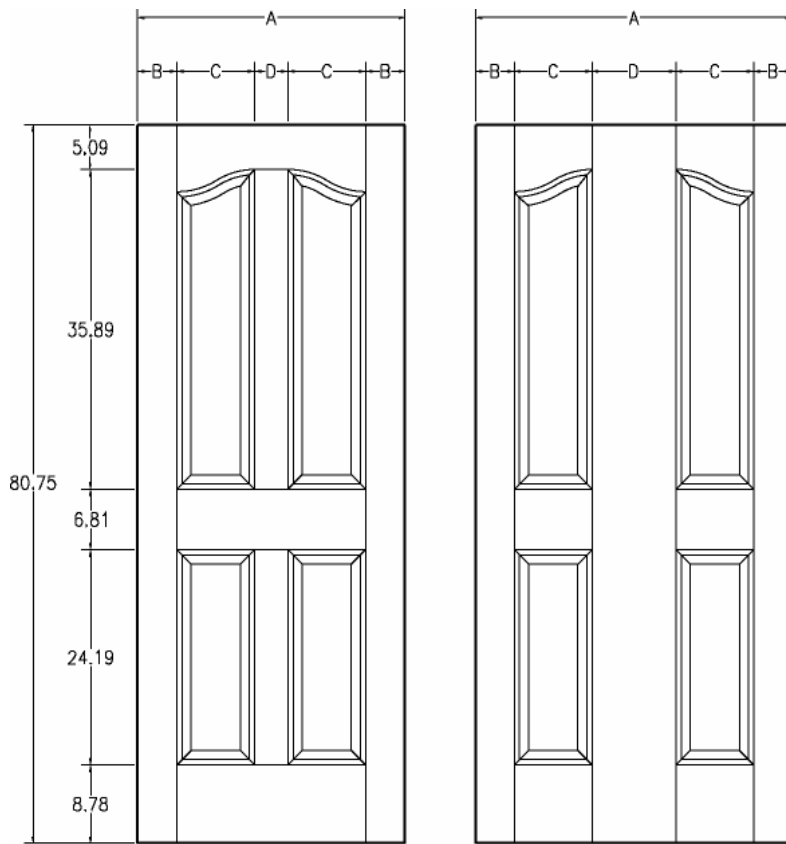
Molded Door Facing Dimensional Specifications



Four Panel Textured Height: 6'8"

Door Facing Size (Nominal)	A	B	C	D
36	36.375	4.34	11.94	3.81
34	34.375	5.34	9.94	3.81
32	32.375	4.34	9.94	3.81
30	30.375	4.34	8.94	3.81
28	28.375	4.34	7.94	3.81
26	26.375	5.34	5.94	3.81
24	24.375	4.34	5.94	3.81
20	20.375	4.22	11.94	--
18	18.375	3.22	11.94	--
16U	16.375	4.69	7.00	--
18/18 B	--	--	--	--
16/16 B	--	--	--	--
15/15 B	--	--	--	--
14/14 B	--	--	--	--
12/12 B	--	--	--	--
9/9 B	--	--	--	--
18/18 M	--	--	--	--

Overall Length and Width Dimensions are + 1/16 inch



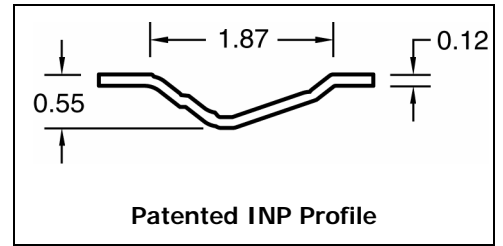
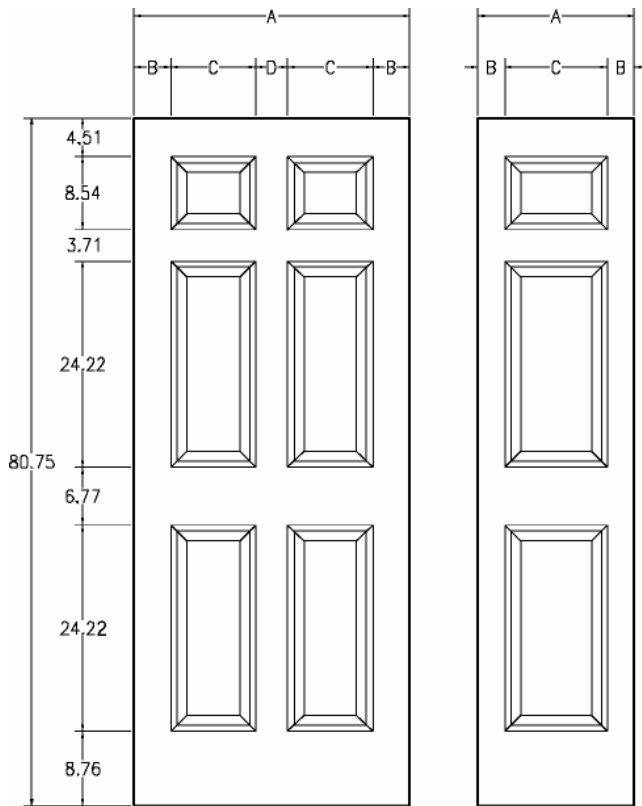
Four Panel Arch Top
Textured
 Height: 6'8"

Door Facing Size (Nominal)	A	B	C	D
36	36.375	4.34	11.94	3.81
34	34.375	5.34	9.94	3.81
32	32.375	4.34	9.94	3.81
30	30.375	4.34	8.94	3.81
28	28.375	4.34	7.94	3.81
26	26.375	5.34	5.94	3.81
24	24.375	4.34	5.94	3.81
20	--	--	--	--
18	--	--	--	--
16U	--	--	--	--
18/18 B	--	--	--	--
16/16 B	--	--	--	--
15/15 B	--	--	--	--
14/14 B	--	--	--	--
12/12 B	--	--	--	--
9/9 B	--	--	--	--
18/18 M	36.375	4.43	8.98	9.56

Overall Length and Width Dimensions are + 1/16 inch



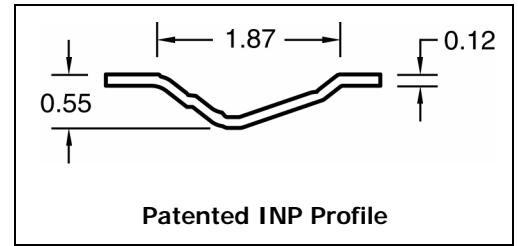
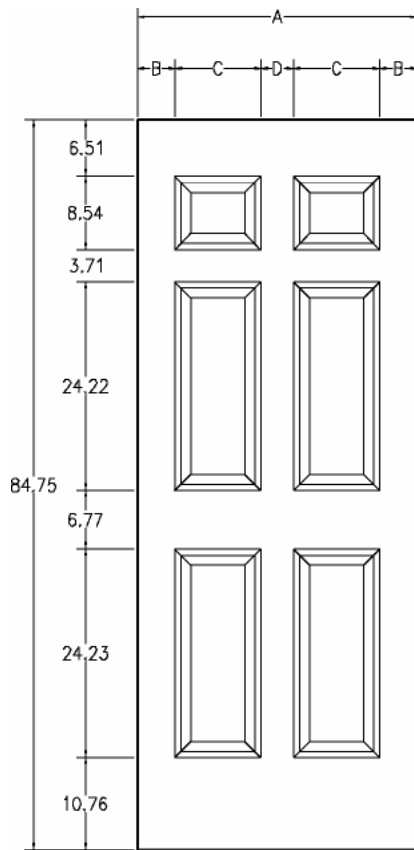
Molded Door Facing Dimensional Specifications



Six Panel Smooth Height: 6'8"

Door Facing Size (Nominal)	A	B	C	D
36	36.375	4.34	11.96	3.78
34	34.375	5.34	9.96	3.78
32	32.375	4.34	9.96	3.78
30	30.375	4.34	8.96	3.78
28	28.375	4.34	7.96	3.78
26	26.375	5.34	5.96	3.78
24	24.375	4.34	5.96	3.78
22	22.375	3.34	5.95	3.78
20	20.375	4.21	11.96	--
18	18.375	3.21	11.96	--
16U	16.375	4.65	7.08	--
18/18 B	--	--	--	--
16/16 B	--	--	--	--
15/15 B	--	--	--	--
14/14 B	--	--	--	--
12/12 B	--	--	--	--
9/9 B	--	--	--	--
18/18 M	--	--	--	--

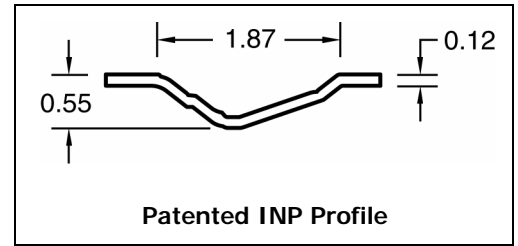
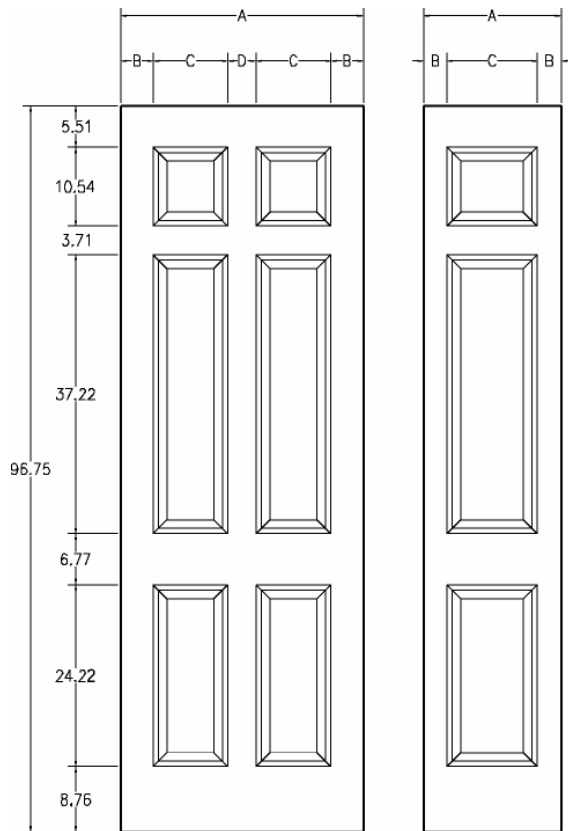
Overall Length and Width Dimensions are + 1/16 inch



Six Panel Smooth
 Height: 7'0"

Door Facing Size (Nominal)	A	B	C	D
36	36.375	4.34	11.96	3.78
34	34.375	5.34	9.96	3.78
32	32.375	4.34	9.96	3.78
30	30.375	4.34	8.96	3.78
28	28.375	4.34	7.96	3.78
26	26.375	5.34	5.96	3.78
24	24.375	4.34	5.96	3.78
20	--	--	--	--
18	18.375	3.21	11.96	--
16U	--	--	--	--
18/18 B	--	--	--	--
16/16 B	--	--	--	--
15/15 B	--	--	--	--
14/14 B	--	--	--	--
12/12 B	--	--	--	--
9/9 B	--	--	--	--
18/18 M	--	--	--	--

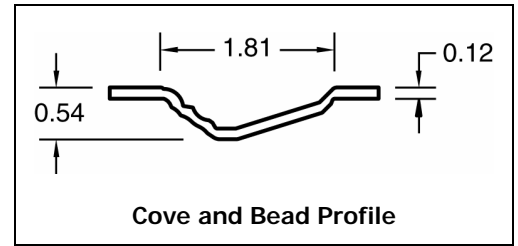
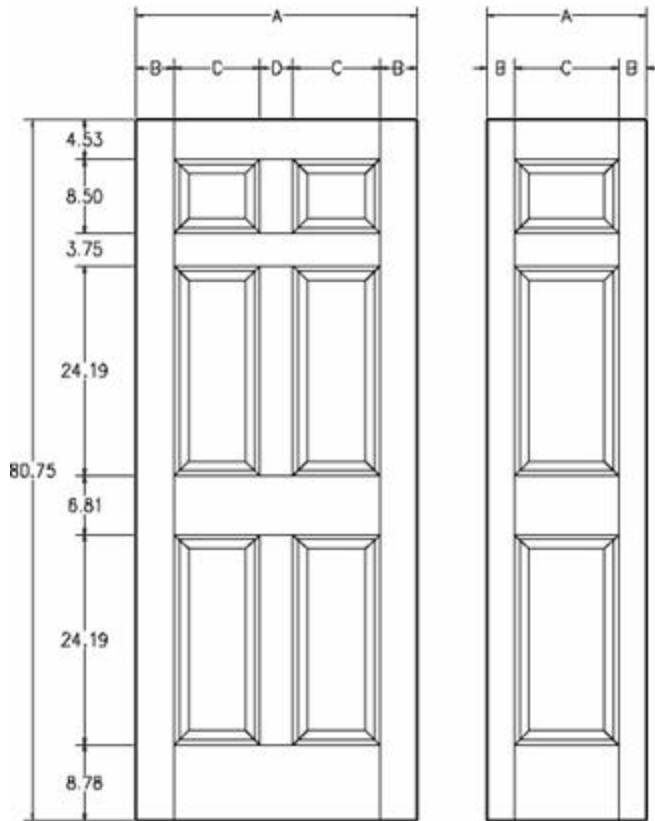
Overall Length and Width Dimensions are + 1/16 inch



Six Panel Smooth
 Height: 8'0"

Door Facing Size (Nominal)	A	B	C	D
36	36.375	4.34	11.96	3.78
34	34.375	5.34	9.96	3.78
32	32.375	4.34	9.96	3.78
30	30.375	4.34	8.96	3.78
28	28.375	4.34	7.96	3.78
26	26.375	5.34	5.96	3.78
24	24.375	4.34	5.96	3.78
20	20.375	4.21	11.96	--
18	18.375	3.21	11.96	--
16U	16.375	4.65	7.08	--
18/18 B	--	--	--	--
16/16 B	--	--	--	--
15/15 B	--	--	--	--
14/14 B	--	--	--	--
12/12 B	--	--	--	--
9/9 B	--	--	--	--
18/18 M	--	--	--	--

Overall Length and Width Dimensions are + 1/16 inch



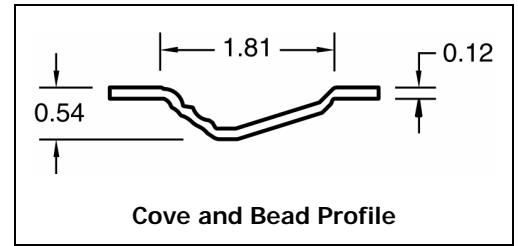
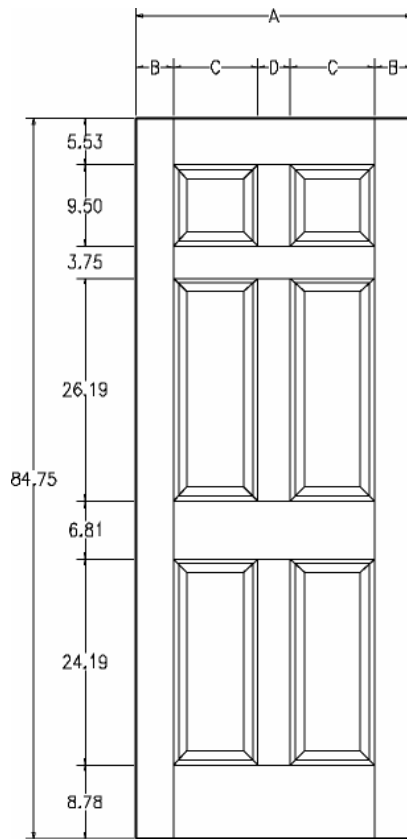
Six Panel Textured
 Height: 6'8"

Door Facing Size (Nominal)	A	B	C	D
36	36.375	4.34	11.94	3.81
34	34.375	5.34	9.94	3.81
32	32.375	4.34	9.94	3.81
30	30.375	4.34	8.94	3.81
28	28.375	4.34	7.94	3.81
26	26.375	5.34	5.94	3.81
24	24.375	4.34	5.94	3.81
20	20.375	4.22	11.94	--
18	18.375	3.22	11.94	--
16U	16.375	4.69	7.00	--
18/18 B	--	--	--	--
16/16 B	--	--	--	--
15/15 B	--	--	--	--
14/14 B	--	--	--	--
12/12 B	--	--	--	--
9/9 B	18.375	3.22	4.81	2.31
18/18 M	--	--	--	--

Overall Length and Width Dimensions are + 1/16 inch



Molded Door Facing Dimensional Specifications



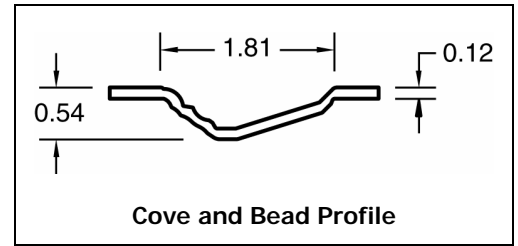
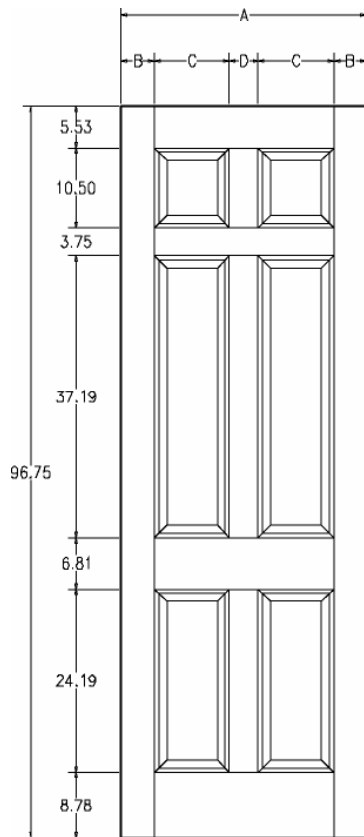
Six Panel Textured Height: 7'0"

Door Facing Size (Nominal)	A	B	C	D
36	36.375	4.34	11.94	3.81
34	34.375	5.34	9.94	3.81
32	32.375	4.34	9.94	3.81
30	30.375	4.34	8.94	3.81
28	28.375	4.34	7.94	3.81
26	--	--	--	--
24	24.375	4.34	5.94	3.81
20	--	--	--	--
18	--	--	--	--
16U	--	--	--	--
18/18 B	--	--	--	--
16/16 B	--	--	--	--
15/15 B	--	--	--	--
14/14 B	--	--	--	--
12/12 B	--	--	--	--
9/9 B	--	--	--	--
18/18 M	--	--	--	--

Overall Length and Width Dimensions are + 1/16 inch



Molded Door Facing Dimensional Specifications



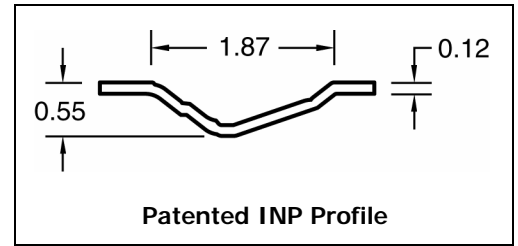
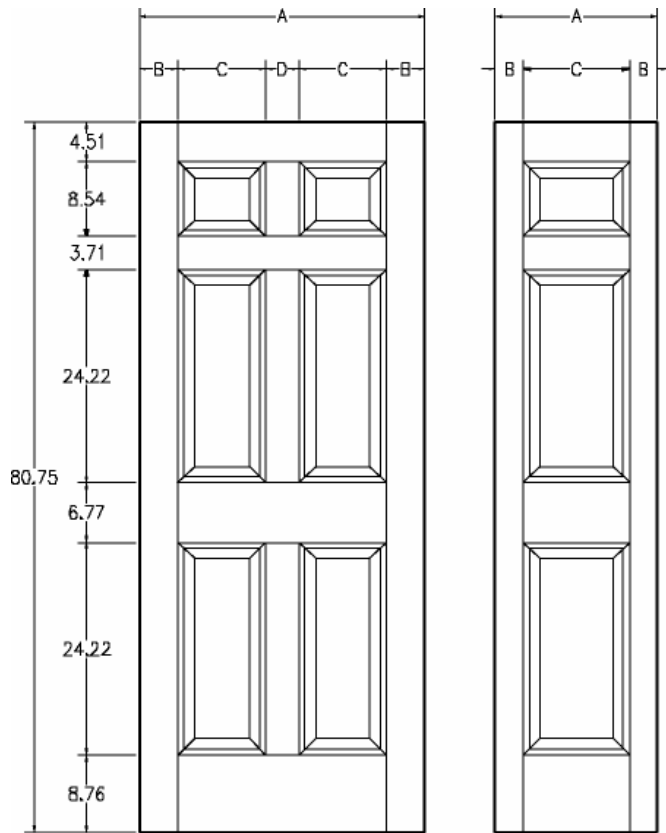
Six Panel Textured Height: 8'0"

Door Facing Size (Nominal)	A	B	C	D
36	36.375	4.34	11.94	3.81
34	34.375	3.34	11.94	3.81
32	32.375	4.34	9.94	3.81
30	30.375	4.34	8.94	3.81
28	28.375	4.34	7.94	3.81
26	--	--	--	--
24	24.375	4.34	5.94	3.81
20	--	--	--	--
18	--	--	--	--
16U	--	--	--	--
18/18 B	--	--	--	--
16/16 B	--	--	--	--
15/15 B	--	--	--	--
14/14 B	--	--	--	--
12/12 B	--	--	--	--
9/9 B	--	--	--	--
18/18 M	--	--	--	--

Overall Length and Width Dimensions are + 1/16 inch



Molded Door Facing Dimensional Specifications



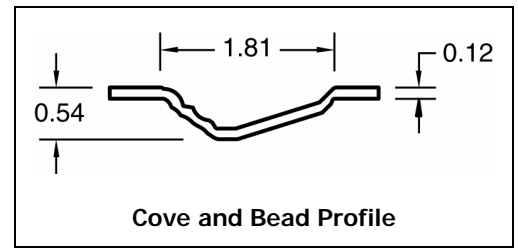
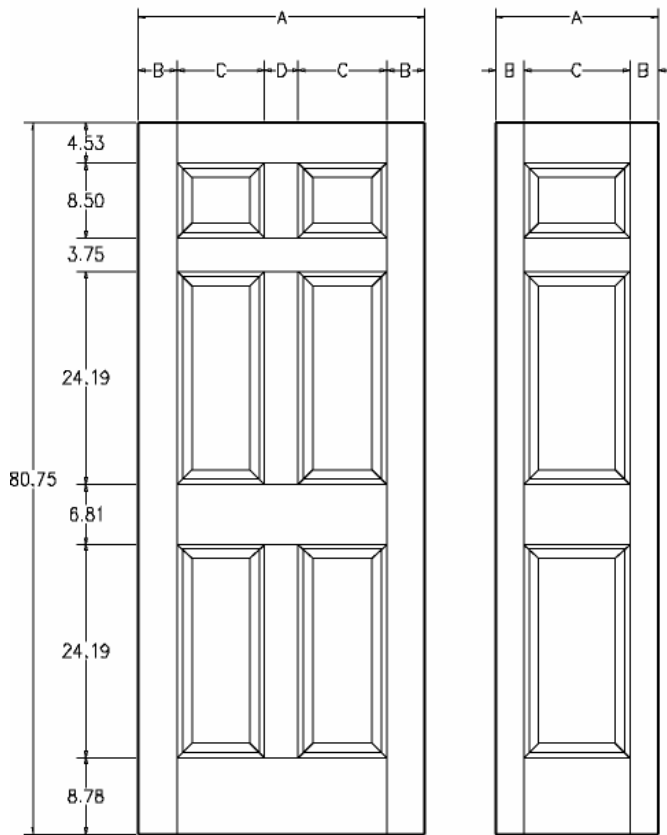
Six Panel Prestained Textured Height: 6'8"

Amber Oak
Honey Oak

Golden Oak
Sienna Oak

Door Facing Size (Nominal)	A	B	C	D
36	36.375	4.34	11.96	3.78
34	34.375	5.34	9.96	3.78
32	32.375	4.34	9.96	3.78
30	30.375	4.34	8.96	3.78
28	28.375	4.34	7.96	3.78
26	26.375	5.34	5.96	3.78
24	24.375	4.34	5.96	3.78
20	20.375	4.21	11.96	--
18	18.375	3.21	11.96	--
16U	16.375	4.69	7.00	--
18/18 B	--	--	--	--
16/16 B	--	--	--	--
15/15 B	--	--	--	--
14/14 B	--	--	--	--
12/12 B	--	--	--	--
9/9 B	--	--	--	--
18/18 M	--	--	--	--

Overall Length and Width Dimensions are + 1/16 inch



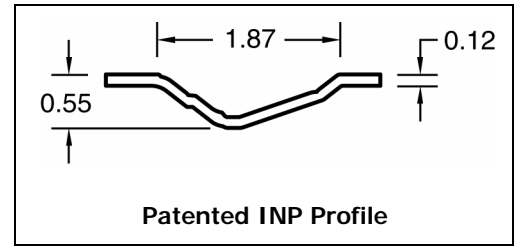
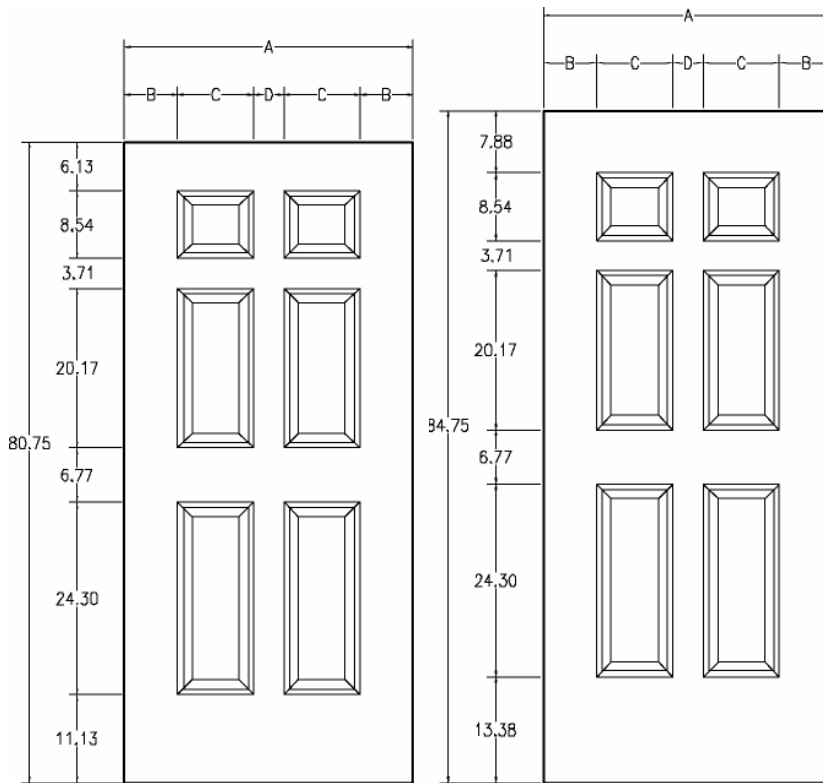
Six Panel White
Textured
 Height: 6'8"

Door Facing Size (Nominal)	A	B	C	D
36	36.375	4.34	11.94	3.81
34	34.375	5.34	9.94	3.81
32	32.375	4.34	9.94	3.81
30	30.375	4.34	8.94	3.81
28	28.375	4.34	7.94	3.81
26	26.375	5.34	5.94	3.81
24	24.375	4.34	5.94	3.81
20	20.375	4.22	11.94	--
18	18.375	3.22	11.94	--
16U	16.375	4.69	7.00	--
18/18 B	--	--	--	--
16/16 B	--	--	--	--
15/15 B	--	--	--	--
14/14 B	--	--	--	--
12/12 B	--	--	--	--
9/9 B	--	--	--	--
18/18 M	--	--	--	--

Overall Length and Width Dimensions are + 1/16 inch



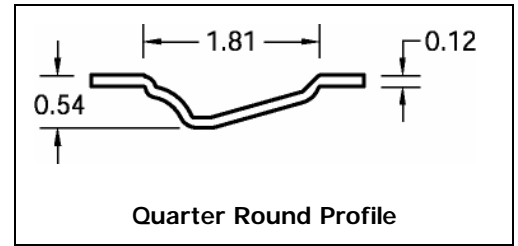
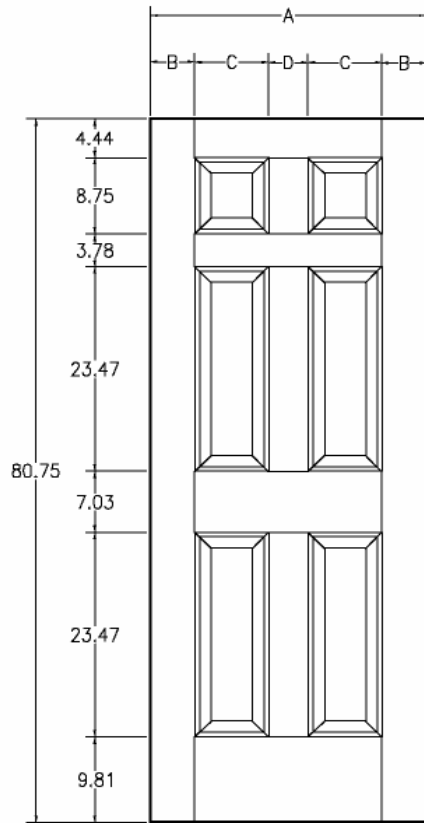
Molded Door Facing Dimensional Specifications



Six Panel
Commercial Smooth
Height: 6'8" and 7'0"

Door Facing Size (Nominal)	A	B	C	D
42	42.375	6.69	12.61	3.78
36	36.375	6.69	9.61	3.78
34	--	--	--	--
32	32.375	6.69	7.61	3.78
30	30.375	5.69	7.61	3.78
28	--	--	--	--
26	--	--	--	--
24	--	--	--	--
20	--	--	--	--
18	--	--	--	--
16U	--	--	--	--
18/18 B	--	--	--	--
16/16 B	--	--	--	--
15/15 B	--	--	--	--
14/14 B	--	--	--	--
12/12 B	--	--	--	--
9/9 B	--	--	--	--
18/18 M	--	--	--	--

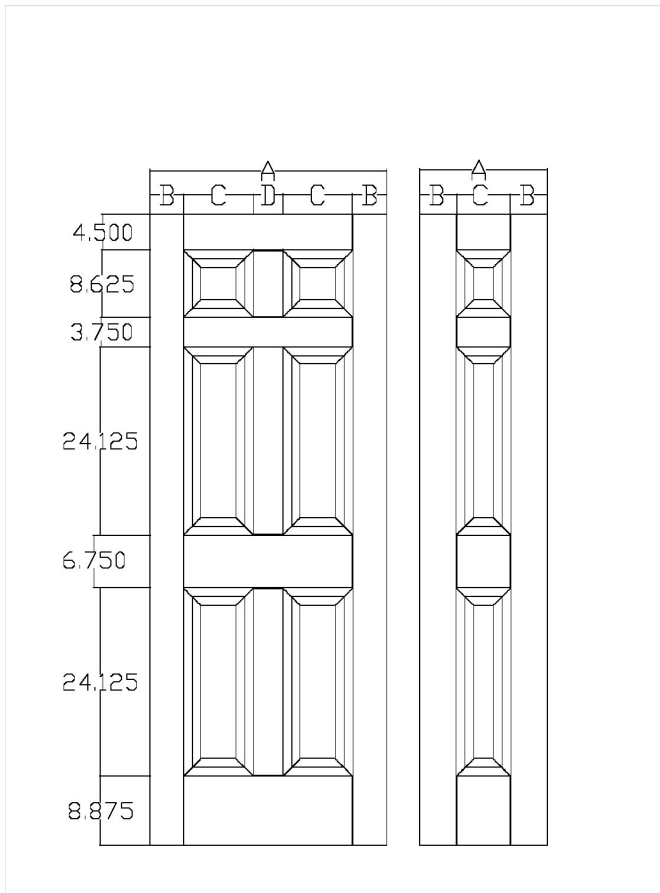
Overall Length and Width Dimensions are + 1/16 inch



Six Panel
Quarter-Round
Textured
 Height: 6'8"

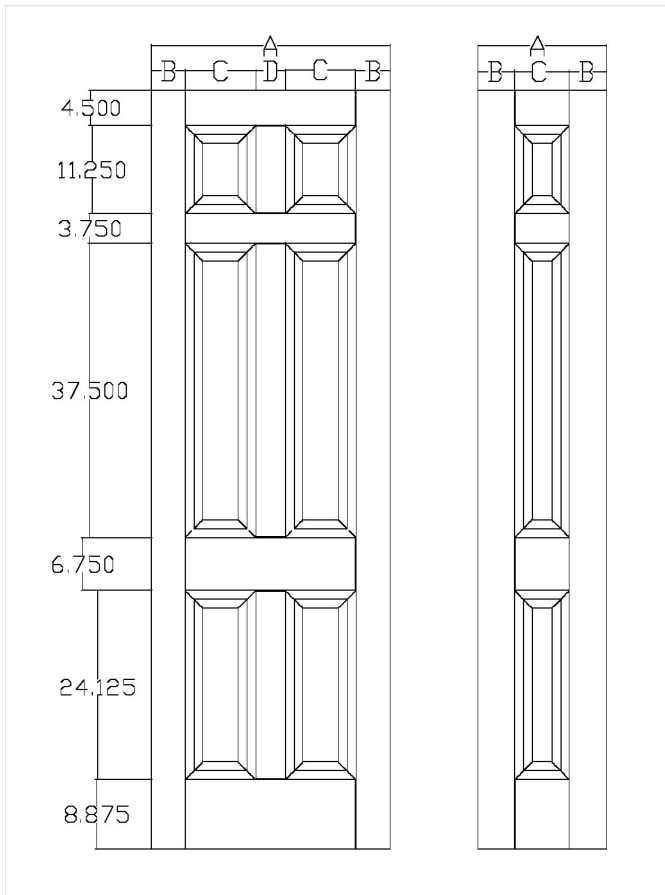
Door Facing Size (Nominal)	A	B	C	D
36	36.375	4.88	11.14	4.34
34	34.375	5.88	9.14	4.34
32	32.375	4.88	9.14	4.34
30	30.375	4.88	8.14	4.34
28	28.375	4.88	7.14	4.34
26	26.375	5.88	5.14	4.34
24	24.375	4.88	5.14	4.34
20	20.375	4.62	11.14	--
18	18.375	3.62	11.14	--
16U	16.375	4.74	6.90	--
18/18 B	--	--	--	--
16/16 B	--	--	--	--
15/15 B	--	--	--	--
14/14 B	--	--	--	--
12/12 B	--	--	--	--
9/9 B	--	--	--	--
18/18 M	--	--	--	--

Overall Length and Width Dimensions are + 1/16 inch


Savannah™
 High-Definition Six-Panel Smooth
 Height: 6'8"

Door Facing Size (Nominal)	A	B	C	D
36	36.375	4.3125	12.000	3.750
34	34.375	5.3125	10.000	3.750
32	32.375	4.3125	10.000	3.750
30	30.375	4.3125	9.000	3.750
28	28.375	4.3125	8.000	3.750
26	26.375	5.3125	6.000	3.750
24	24.375	4.3125	6.000	3.750
20	20.375	4.3125	11.750	--
18	18.375	3.3125	11.750	--
16U	16.375	4.6875	7.000	--
18/18 B	--	--	--	--
16/16 B	--	--	--	--
15/15 B	--	--	--	--
14/14 B	--	--	--	--
12/12 B	--	--	--	--
9/9 B	--	--	--	--
18/18 M	--	--	--	--

**Overall Length and Width Dimensions are + 1/16 inch



Savannah™
 High-Definition Six-Panel Smooth
 Height: 8'0"

Door Facing Size (Nominal)	A	B	C	D
36	36.375	4.3125	12.000	3.750
34	34.375	5.3125	10.000	3.750
32	32.375	4.3125	10.000	3.750
30	30.375	4.3125	9.000	3.750
28	28.375	4.3125	8.000	3.750
26	26.375	5.3125	6.000	3.750
24	24.375	4.3125	6.000	3.750
20	20.375	4.3125	11.750	--
18	18.375	3.3125	11.750	--
16U	16.375	4.6875	7.000	--
18/18 B	--	--	--	--
16/16 B	--	--	--	--
15/15 B	--	--	--	--
14/14 B	--	--	--	--
12/12 B	--	--	--	--
9/9 B	--	--	--	--
18/18 M	--	--	--	--

**Overall Length and Width Dimensions are + 1/16 inch