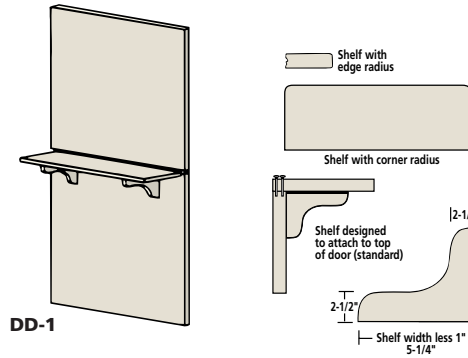


Mohawk Dutch Door, Shelves & Wicket Door Standard Options

Standard Dutch Door & Shelves

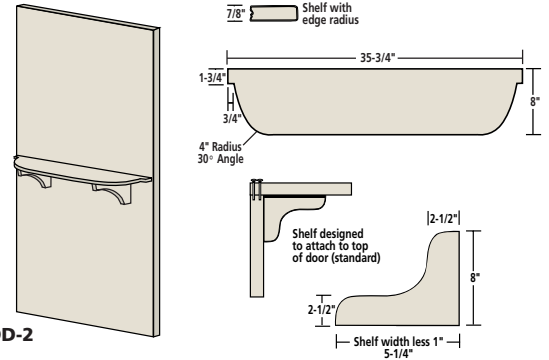


DD-1

When specifying Dutch doors, indicate if shelf is required on one or both sides and make certain that thickness of shelf is taken into consideration when specifying hardware locations. Shelves and brackets will be shipped separately. Standard widths for shelf are 8", 10", and 12" for single side and 16", 20", and 24" for both sides. Shelf bracket is 1" less than width of shelf. Shelf and bracket are matching species, thickness 7/8". Rabbeting of Dutch door by special request.

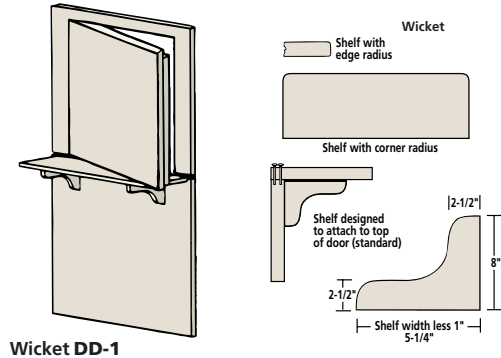
Prefit Shelf

Allows shelf to pass stop of frame.



DD-2

Wicket Door & Shelves

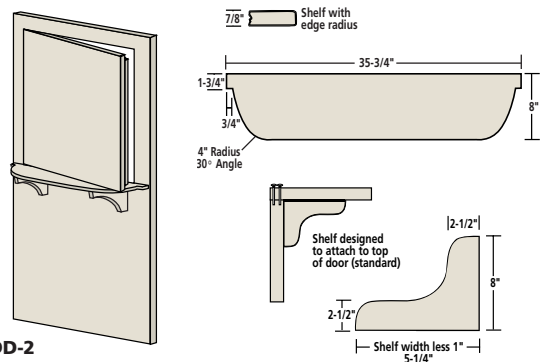


Wicket DD-1

When specifying Wicket doors, indicate size of call door, size of shelf, one or two shelf brackets, and hand. Top and lock edge of call door and opening are rabbeted. Call door, shelf, and shelf bracket will be shipped separately. Shelf and bracket are matching species, thickness 7/8". Rabbeting of call door by special request.

Prefit Shelf

Allows shelf to pass stop of frame.



DD-2

Door Handing Chart

INSIDE Single door right hand	INSIDE Single door left hand	INSIDE Pair of doors right hand active	INSIDE Pair of doors left hand active
INSIDE Single door right hand reverse bevel	INSIDE Single door left hand reverse bevel	INSIDE Pair of doors right hand reverse bevel active	INSIDE Left Hand Reverse Active
			INSIDE Right Hand Reverse Double Egress

MOHAWK
FLUSH DOORS, INC.
PREMDOR

